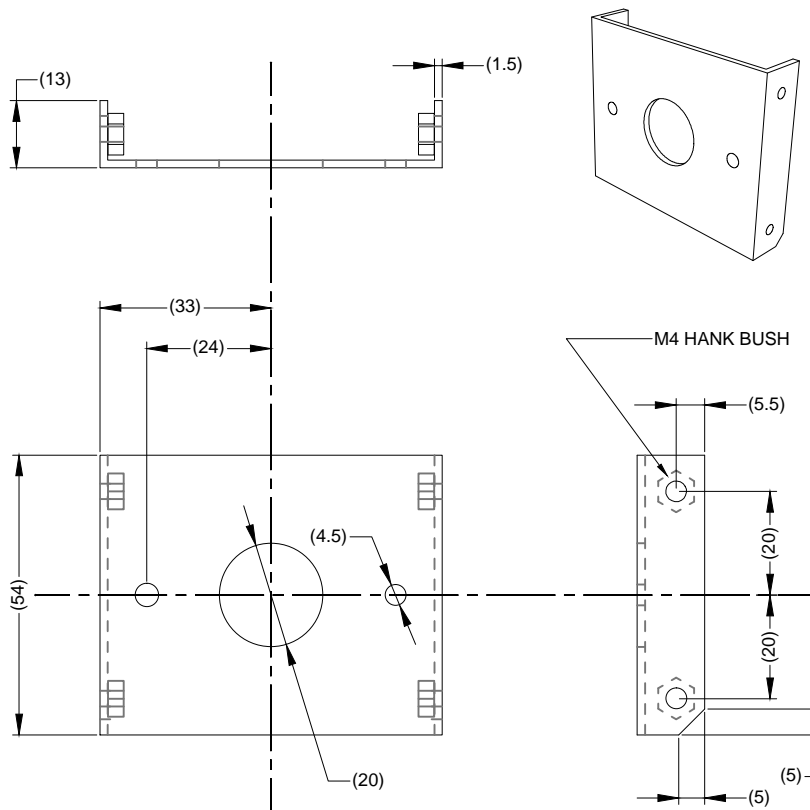


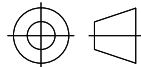
Revision Notes.				
R1 -				
APA: -	Drawn:-	Checked:-	Approved:-	Date: -



NOTES:
 1. MATERIAL 1.5mm THICK 4003 STAINLESS STEEL.
 2. FINISH: NATURAL.

PROPRIETARY NOTICE
 THIS DESIGN AND TECHNICAL INFORMATION APPEARING ON THIS DRAWING IS THE PROPERTY OF BRIGADE ELECTRONICS, AND IS DISCLOSED IN CONFIDENCE. IT IS NOT TO BE COPIED, REPRODUCED, REVEALED TO OR EXPROPRIATED BY OTHERS, EITHER IN WHOLE OR IN PART WITHOUT THE EXPRESS WRITTEN CONSENT OF BRIGADE ELECTRONICS.

BRIGADE[®]
 www.brigade-electronics.com

Assembly PI Approval JOHN MILLER 11/06/14		Approved by B.CHILDS		Checked by R.BATES		Drawn by P.MISSEN	
Angle of Projection 		Units mm	Scale N/A	Released 18/06/14	Assembly Ref -		
Third Angle		Status RELEASED	BN360-100C-BKT02A				
		Part No 4700	BE-002838-00-14				